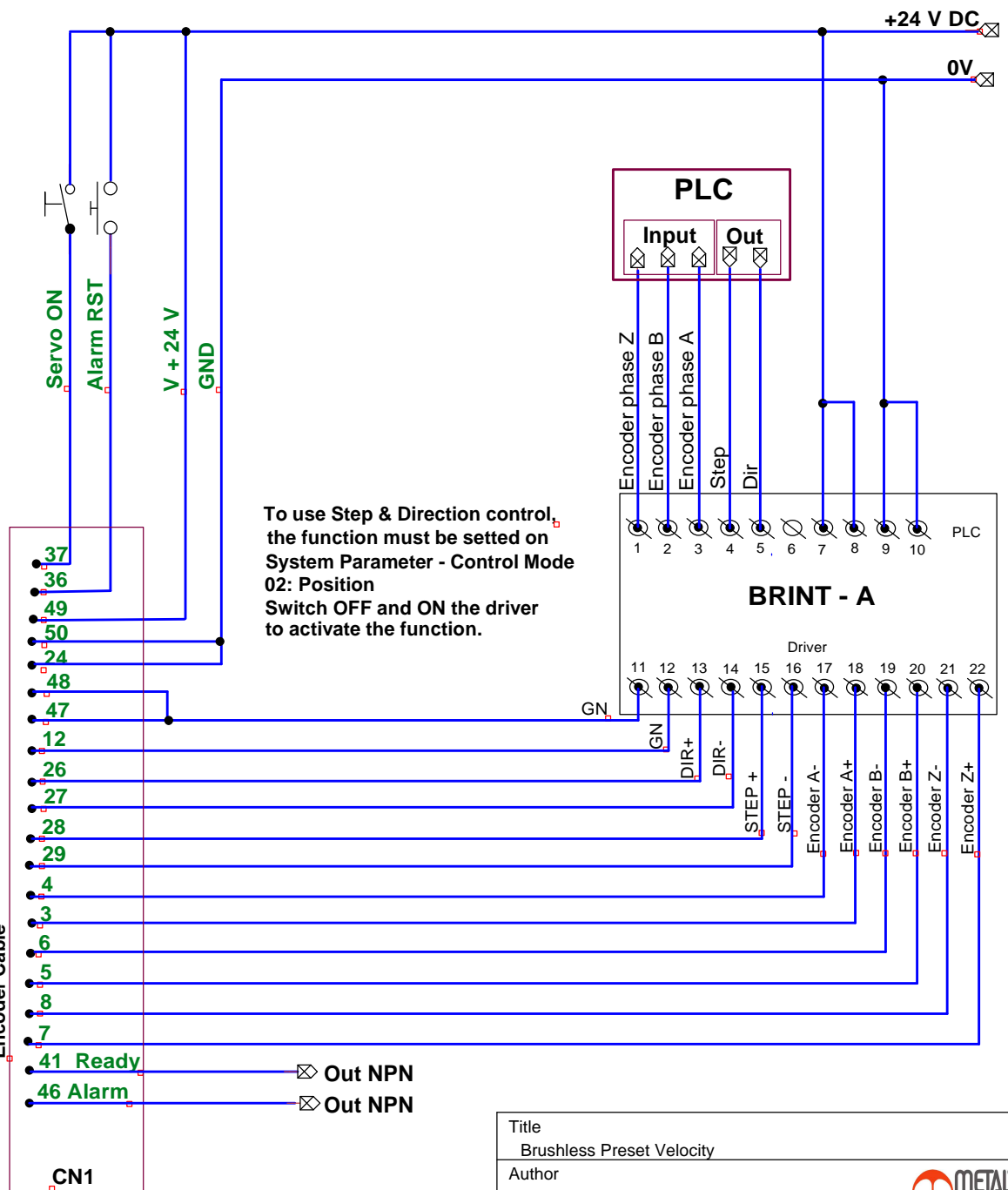
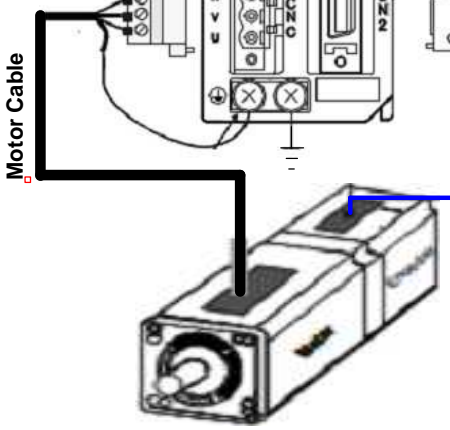
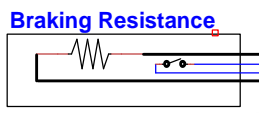


The braking resistance must be set on System Parameter Regenerative Resistor Selection 02: External R. Switch OFF and ON the driver to activate the function.



Title Brushless Preset Velocity		
Author D. Zola Metal Work		
File ni elettrici\Brushless - Brint A - Schema base.dsn		Document
Revision 1.0	Date 28/09/2015	Sheets 1 of 1